

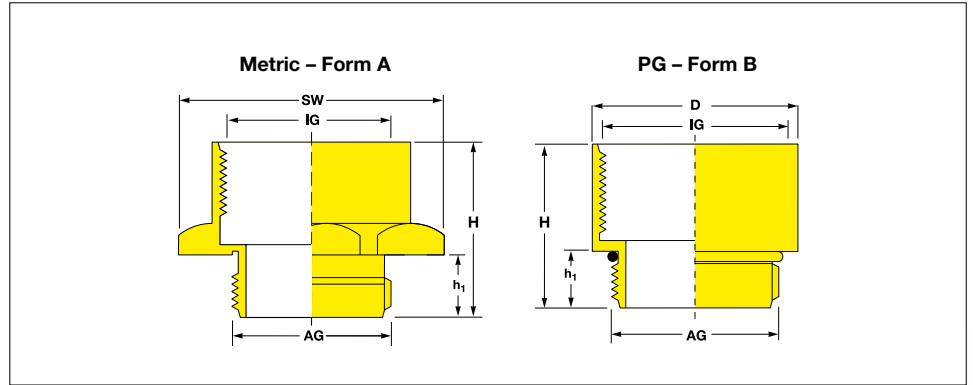
Quick-Fit® Thread Enlargers, Brass, Nickel plated

Used to enlarge a small internal thread or tapped hole for application of a larger outside thread size

Available for both metric to metric and PG to PG-threads

immediate

FREE SAMPLES



Metric – Form A

from	to	All dimensions in mm				
Thread external	Thread internal	Spanner size	Length of thread	Height	Reference-No.	Form
AG	IG	SW	h ₁	H		
M 12	M 16	18.0	5.0	16.0	EPN 740 / M 12 → M 16	A
M 16	M 20	22.0	5.0	16.5	EPN 740 / M 16 → M 20	A
M 20	M 25	27.0	6.0	18.5	EPN 740 / M 20 → M 25	A
M 25	M 32	34.0	7.0	20.5	EPN 740 / M 25 → M 32	A
M 32	M 40	42.0	8.0	23.5	EPN 740 / M 32 → M 40	A
M 40	M 50	52.0	8.0	30.5	EPN 740 / M 40 → M 50	A
M 50	M 63	65.0	9.0	32.5	EPN 740 / M 50 → M 63	A

PG – Form B

from	to	All dimensions in mm				
Thread external	Thread internal	Spanner size	Length of thread	Height	Artikel-Nr.	Form
AG	IG	D	h ₁	H		
PG 7	PG 9	17.0	5.0	15.0	EPN 740 / PG 7 → PG 9	B
PG 9	PG 11	20.0	6.0	16.5	EPN 740 / PG 9 → PG 11	B
PG 11	PG 13.5	22.0	6.0	17.7	EPN 740 / PG 11 → PG 13.5	B
PG 11	PG 16	24.0	5.9	18.5	EPN 740 / PG 11 → PG 16	B
PG 13.5	PG 16	24.0	5.9	18.5	EPN 740 / PG 13.5 → PG 16	B
PG 16	PG 21	30.0	6.5	21.0	EPN 740 / PG 16 → PG 21	B
PG 21	PG 29	39.0	7.0	23.0	EPN 740 / PG 21 → PG 29	B
PG 29	PG 36	50.0	8.0	27.5	EPN 740 / PG 29 → PG 36	B
PG 36	PG 42	50.0	9.0	31.0	EPN 740 / PG 36 → PG 42	B
PG 42	PG 48	64.0	10.0	33.0	EPN 740 / PG 42 → PG 48	B

Material :
Brass,
nickel plated

Used to enlarge a small internal thread or tapped hole for application of a larger outside thread size.

Available for both metric to metric and PG to PG-threads.

Think Plastic. Go Protec.®



Should your requirements not be shown please ask for a separate quotation.
PROTEC products and specifications are subject to improvement and change without notice.

Quick-Fit® Thread Enlargers, Brass, Nickel plated

Used to enlarge a small internal thread or tapped hole for application of a larger outside thread size

Available for both metric to metric and PG to PG-threads

TRIPLE ADVANTAGE of PROTEC QUICK-FIT®

QUALITY. These components enlarge the threaded entry diameter on any threaded interface from a smaller to larger thread size in order to accept a suitable gland.

Configuration: from small external Metric to large internal Metric and from small external PG to large internal PG.

AVAILABILITY. With over 400 million moulded components shipped from our UK logistics center we provide the fastest on time delivery service to all industries of the UK market.

PHILOSOPHY. The highest degree of Protec Quick-Fit functionality and safety at the best price in the market.



Material :
Brass,
nickel plated

Individual Productions :
On request we develop and produce individually tailored solutions next to the standard items of this range: additional dimensions, different materials and new colours

We would be pleased to advise you.

Think Plastic. Go Protec.®

PROTEC
PLASTICS