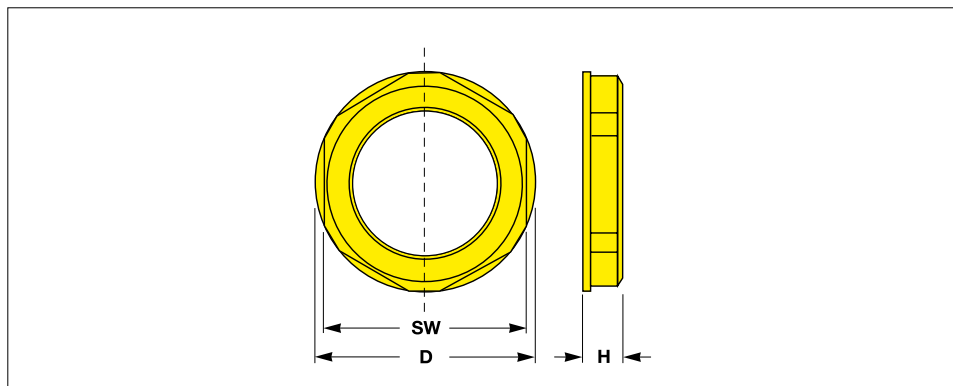


Quick-Fit® Hexagonal Locknuts with flange

For secure tightening of cable glands and accessories



Material :
PA 6,
impact resistant nylon

Standard Colours :
light grey RAL 7035
dark grey RAL 7001
black RAL 9005

optional :
white RAL 9010
red RAL 3000

Optional colours on request.

For secure tightening of cable glands and accessories

Think Plastic. Go Protec.®



All dimensions in mm

Thread Size	Depth	Spanner size	Ø	Material	Reference-No.
	H	SW	D		
M 16 × 1.5	7.0	19	22.5	PA	EPN 350 / M 16 × 1.5
M 20 × 1.5	8.0	24	28.0	PA	EPN 350 / M 20 × 1.5
M 25 × 1.5	9.0	27	31.5	PA	EPN 350 / M 25 × 1.5

Should your requirements not be shown please ask for a separate quotation.
PROTEC products and specifications are subject to improvement and change without notice.

Quick-Fit® Hexagonal Locknuts with flange

For secure tightening of cable glands and accessories

TRIPLE ADVANTAGE of PROTEC QUICK-FIT®

QUALITY. Hexagon shaped with round sealing flange.
To fit a variety of thread sizes, and to execute a range of applications.
Nylon nuts are durable, non-conductive and resistant to corrosion.

AVAILABILITY. With over 400 million moulded components shipped from our UK logistics center we provide the fastest on time delivery service to all industries of the UK market.

PHILOSOPHY. The highest degree of Protec Quick-Fit functionality and safety at the best price in the market.



Material :

PA 6,
impact resistant nylon

Standard Colours :

light grey	RAL 7035
dark grey	RAL 7001
black	RAL 9005

optional :

white	RAL 9010
red	RAL 3000

Optional colours on request.

Individual Productions :

On request we develop and produce individually tailored solutions next to the standard items of this range: additional dimensions, different materials and new colours

We would be pleased to advise you.

Think Plastic. Go Protec.®

PROTEC
PLASTICS